



VSW160 Vibration Switch

Switch - Indicator - Transmitter

VSW160 Electronic Vibration Switch provides essential protection for critical equipments like fans, pumps, motors, compressors, etc. It measures the vibration with inbuilt ICP accelerometer when Switch is mounted on the machine and generates relay output for Alarm or shutdown when vibration levels exceed the preset threshold value. VSW160 has rugged design suitable for harsh environments and hazardous areas of Zone 1 & 2, Gas Groups: IIA/ IIB & IIC.

VSW160 Electronic Vibration Switch is available in two options 1) with built in piezoelectric ICP 100mV/g Sensor or 2) With Remote piezoelectric ICP 100mV/g Sensor.

VSW160 has bright 3½ digit display and touch Sense Keys for Set point display & manual reset. Optional isolated 4-20mA analog output proportional to Acceleration or Velocity range is available to interface with PLC/DCS/RTU for centralized monitoring and protection.

VSW160 has two independent set points adjustable throughout the range by means of internal multi-turn potentiometers, Relay outputs driven by the set point comparators can be used for Alarm and Trip purpose, the relays are DIP switch configurable for normal or Fail safe Logic, the relays are latching type and resettable by the manual reset key on front or by remote contact closure.

VSW160 is a much more accurate and reliable replacement for the Mechanical vibration switches.

Features

- Switch-Indicator-Transmitter functionality
- Remote sensor or inbuilt sensor option
- Bright 3½ digit, 7 segment LED display
- Touch Sense Keys for Set point display & manual reset
- Measurement Parameters: Velocity, Acceleration
- Unit: RMS, Peak-to-Peak or Peak⁽¹⁾ (factory set)
- Precise isolated analog output 4-20mA (optional) for interfacing further to PLC, SCADA System or other instrumentation
- Relay output
- Protection: IP 65, Flameproof (Explosion Proof) EX-d
- Area Classification: Zone 1 & 2, Gas Groups: IIA/ IIB & IIC
- Mounting: Machine mount or wall mount with remote sensor

Applications

- Protection of Fans, Pumps, Motors, Blowers etc
- Reliable Replacement of Mechanical type Vibration switches
- Ideal for CTID fan monitoring
- Gear boxes
- Blowers
- Compressors
- Pulp and paper machinery
- Conveyors

TECHNICAL SPECIFICATIONS

Input		Physical	
Input Type	Inbuilt ICP Accelerometer 100mV/g Option: Remote ICP piezoelectric Accelerometer Sensitivity: 100 mV/g±10% Dynamic range: 80 g pk	Dimension (mm)	120(W) x 102.8 (D) x 120 (L)
Sensor excitation current	4 mA Approx.	Mounting	Machine mount Stud/Pad mount in case of Remote sensor
Frequency range	2.5Hz, 5 Hz or 10Hz (Internal Switch selectable) to 1KHz, 2.5KHz or 10KHz (Internal Switch selectable)	Type of Protection	IP65; Flameproof (Explosive Proof) Ex-d
I/P to Display Accuracy	±1.0% of Full Scale	Area Classification	Zone 1 & 2
		Gas Group	IIA/IIB & IIC
		Enclosure Material	Cast Aluminum Alloy LM-6
		Cable entry size/ No	¾" ET glands - 2 Nos
		Weight	1.2 Kg approx

Measuring Parameter & Range		
Parameter	Range	Resolution
Acceleration	0 to 5.0/ 10.0/ 15.0 / 20.0/ 30.0 (g) RMS/peak ⁽¹⁾	0.1g
Velocity	0 to 12.5/ 25.0/ 50.0 / 100.0 (mm/sec) RMS/peak ⁽¹⁾ or peak-peak ⁽¹⁾	0.1mm/sec

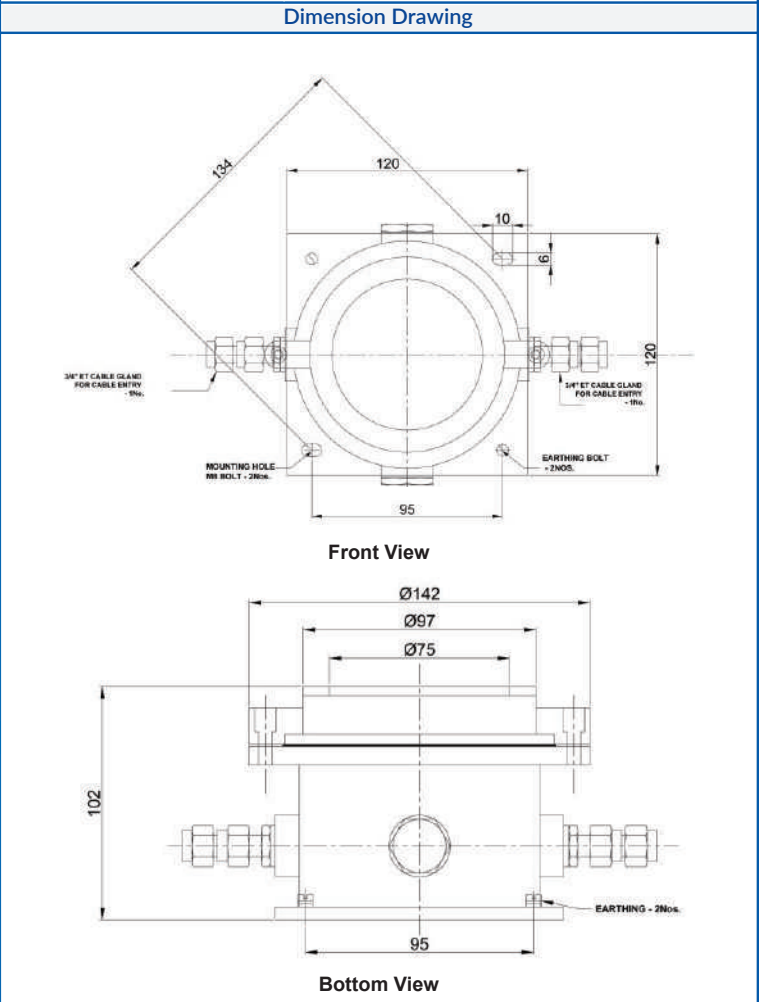
(1) Derived peak

Display & Keys	
Display	0.3" - 3½ digit seven segment Red LED
Status	Power On (Red LED), Relay1 On (Red LED), Relay2 On (Red LED)
Keys	Touch sense keys: Reset, Set1, Set2

Output	
No of Relays	2 Nos.
Set point settings	Via trim pot inside the instrument
Relay contact Rating	5A @ 250VAC/30VDC
Retransmission Output (Optional)	
Retransmission Output	4-20 mA DC@ 500Ω Max.
Accuracy	±0.25% of Full Scale (Display to output)

Power Supply	
Supply Voltage	85-265VAC, 50/60Hz/ 110VDC-300VDC Optional: 18-36 VDC
Power Consumption	5 VA max
Isolation (Withstanding voltage)	
Between primary terminals* and secondary terminals**: At least 1500 V AC for 1 minute	
Between secondary terminals**: At least 500 V AC for 1 minute	
* Primary terminals indicate power terminals and relay output terminals.	
** Secondary terminals indicate analog I/O Signal.	
Insulation resistance: 50MΩ or more @ 500 V DC between All terminals and grounding terminal	

Environmental	
Ambient Temperature	0 to 60 °C
Storage Temperature	0 to 85 °C
Operating Humidity Range	30 to 95% RH non-condensing



Ordering code

Model	Sensor type	Vibration Range		Measurement Unit		Power supply		Retransmission o/p		Sensor Cable length ⁽⁴⁾	
VSW160	XX	1V	0-12.5 mm/sec	OR	RMS	U1	85-265 VAC/	X	Yes	X	Not applicable ⁽³⁾
	IN	Built in Sensor	2V	0-25 mm/sec	OP	Peak ⁽¹⁾	110-300 VDC	Y	No	NA	5 meters unarmoured cable
	RM	Remote Sensor ⁽²⁾	3V	0-50 mm/sec	PP	Peak to Peak ⁽¹⁾	18-36 VDC	N	No	L1	10 meters unarmoured cable
			4V	0-100 mm/sec						L2	5 meters armoured cable
			1A	0-5 g						L3	10 meters armoured cable
			2A	0-10 g						L4	5 meters armoured cable
			3A	0-15 g							10 meters armoured cable
			4A	0-20 g							
			5A	0-30 g							
			S	Special Range*							

- * Consult factory
- x Specify from Table
- (2) To be ordered separately if required
- (3) Not applicable in case of Built in sensor
- (4) Applicable only if Remote Sensor ordered

Compatible Remote Sensor (Optional-On request)	
Sensor Mounting:	Stud/ Pad mounting
Sensor Type:	ICP
Sensor Output:	100mV/g